

## Assembly Instructions

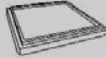



ITEM Number : AA104-1

Product Name: Coffee Table Storage Ottoman - Square

### PRE-ASSEMBLY PREPARATION:

- The hardware is located inside of the storage ottoman.
- Use a drill or screwdriver to assemble the legs and casters.
- Please keep small parts away from children.

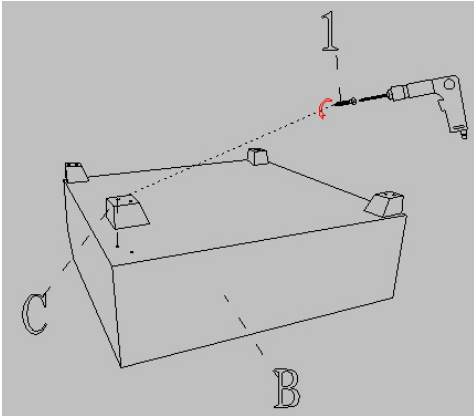
### Panel and Fittings Identification:

	PARTS	Q' TY
A		1pcs
B		1pcs
C		4pcs
D		4pcs

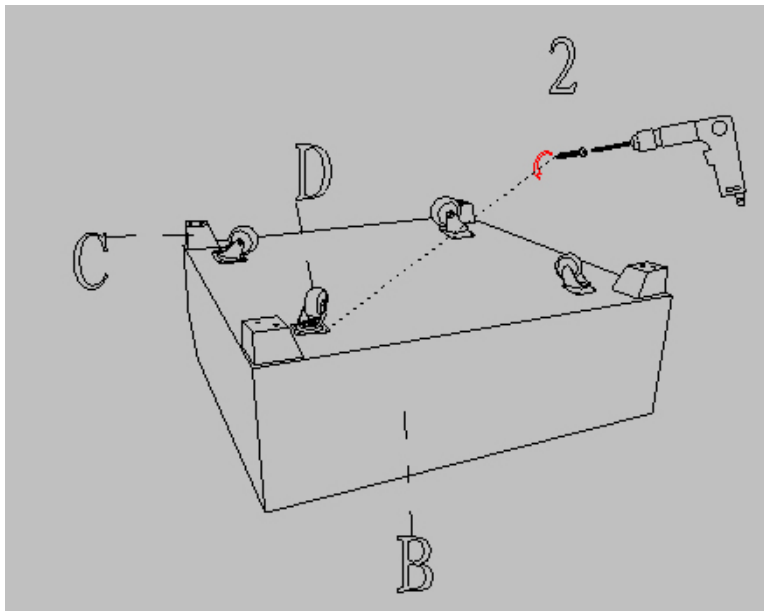
1		5*50mm	8pcs
2		4*20mm	16pcs

## Step By Step Assembly Instructions

**Step 1 :** Use the longer screws to assemble legs.



**Step 2:** Use the shorter screws to assemble casters.



**Step 3:** put the top "A" to the base "B".

